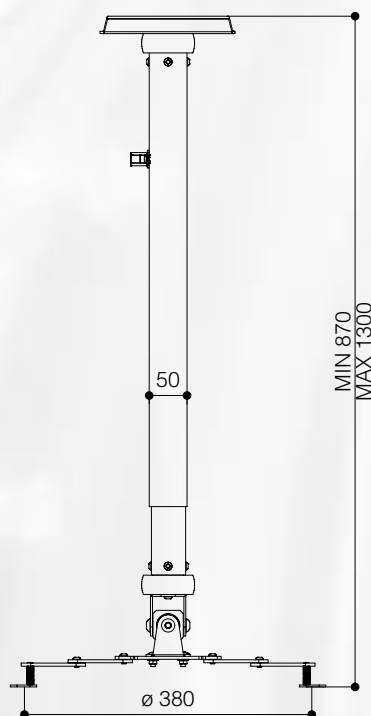
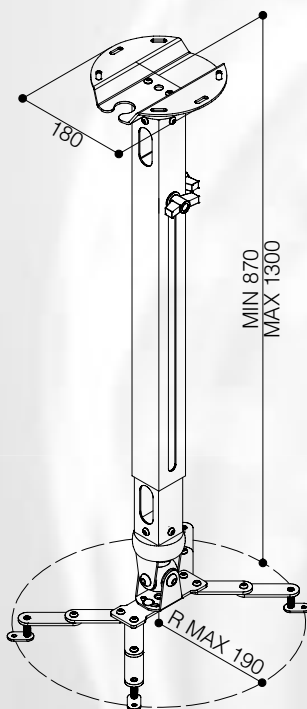


T-LONG BRACKET

T-LONG BRACKET is a telescopic universal projector bracket that thanks to its smart design and simplicity is adaptable either to domestic environment or to meeting rooms and conference halls.

- Reliable and versatile construction
- Aluminium bracket painted with grey epoxy powders (RAL 9006)
- Spider system will be completely hidden within the projector surface
- Spider system adjustable for virtually every lcd and dlp projector
- Inner column has a mechanical safety stop to prevent it from disengaging from outer column
- Maximum projector weight: kg. 30
- Possibility to tilt the projector upwards or downwards.



Front view



Rear view

T-LONG BRACKET

EUROSCREEN S.r.l.

Via Stiria, 45/16 - 33100 Udine - Italy

Tel. +39 0432 522755

info@screenint.com

www.screenint.com

